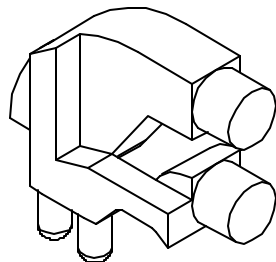
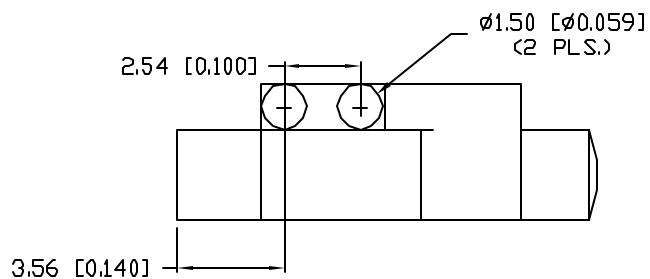
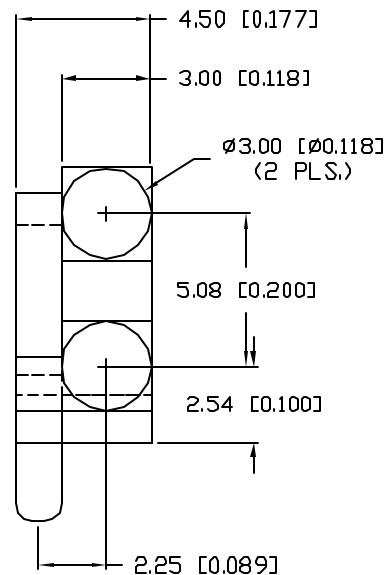
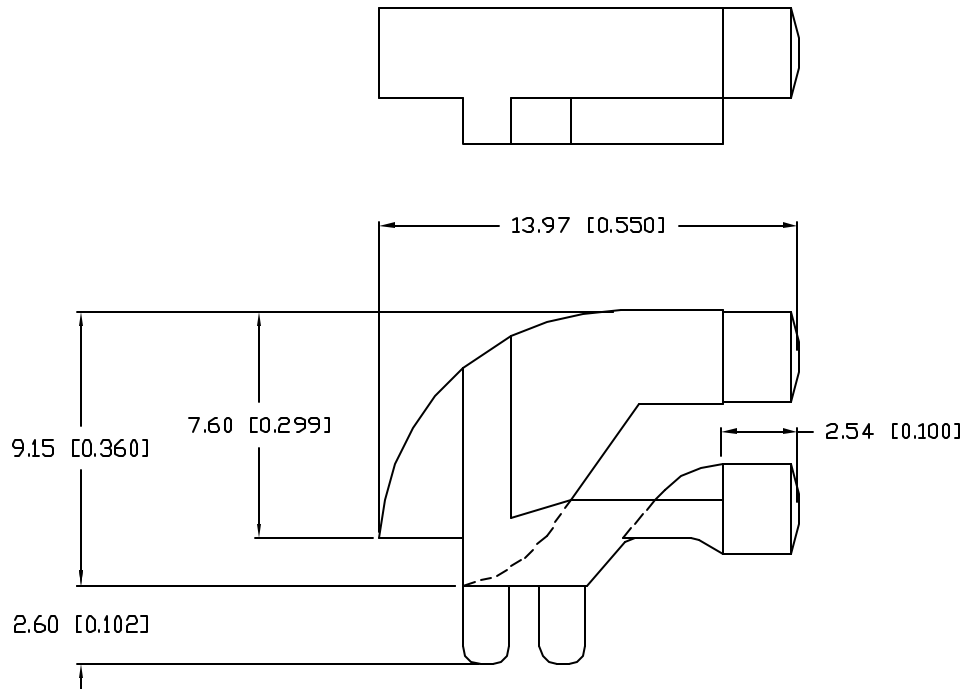


UNCONTROLLED DOCUMENT

PART NUMBER  
LPF-C012301S

REV.  
A

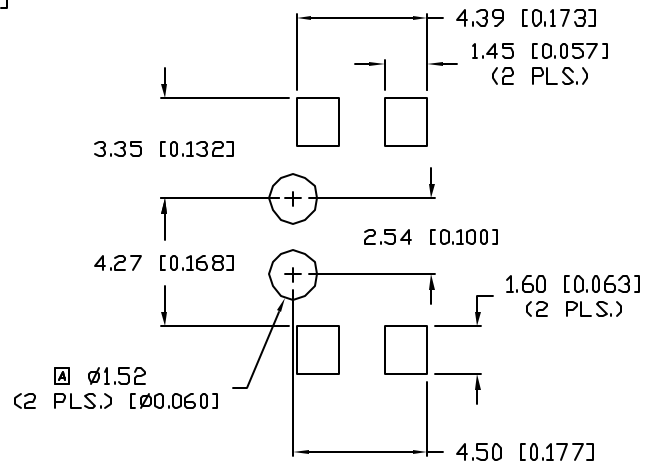
REV.	E.C.N. NUMBER AND REVISION COMMENTS	DATE
A	E.C.N. #11352.	9.11.06



NOTES:

1. MATERIAL: CLEAR POLYCARBONATE, UL94V-0.
2. TEMP RANGE: -60°C TO +125°C.
3. RECOMMENDED LED: SML-LX23 SERIES.

RECOMMENDED SOLDER PAD LAYOUT



REPLACES PART #: LLP-LXH020301S

\*UNLESS OTHERWISE SPECIFIED TOLERANCES PER DECIMAL PRECISION ARE: X=±1 {±0.030}, XX=±0.5 {±0.020}, XXX=±0.25 {±0.010}, XXXX=±0.127 {±0.005}. LEAD SIZE=±0.05 {±0.002}, LEAD LENGTH=±0.75 {±0.030}. MIN.=<sup>+DECIMAL PRECISION</sup><sub>-0.00</sub> MAX.=<sup>+0.00</sup><sub>-DECIMAL PRECISION</sub>

UNCONTROLLED DOCUMENT

REV. A	PART NUMBER LPF-C012301S
3mm DUAL TOWER, RIGHT ANGLE BEND, SMT LIGHT PIPE.	

**CONFIDENTIAL INFORMATION**  
THE INFORMATION CONTAINED IN THIS DOCUMENT IS THE PROPERTY OF LUMEX INC. EXCEPT AS SPECIFICALLY AUTHORIZED IN WRITING BY LUMEX INC., THE HOLDER OF THIS DOCUMENT SHALL KEEP ALL INFORMATION CONTAINED HEREIN CONFIDENTIAL AND SHALL PROTECT SAME IN WHOLE OR IN PART FROM DISCLOSURE AND DISSEMINATION TO ALL THIRD PARTIES.

**RELIABILITY NOTE**  
OUR MANY YEARS OF EXPERIENCE DATA ACCUMULATION INDICATE THAT SOLDER HEAT IS A MAJOR CAUSE OF EARLY AND FUTURE FAILURE. PLEASE PAY ATTENTION TO YOUR SOLDERING PROCESS.

290 E. HELEN ROAD  
PALATINE, IL 60067-6976  
PHONE: +1.847.359.2790  
US WEB: www.lumex.com  
TW WEB: www.lumex.com.tw

DRAWN BY: GB	CHECKED BY:	APPROVED BY:	DATE: 6.20.02 PAGE: 1 OF 1 SCALE: N/A
-----------------	-------------	--------------	---